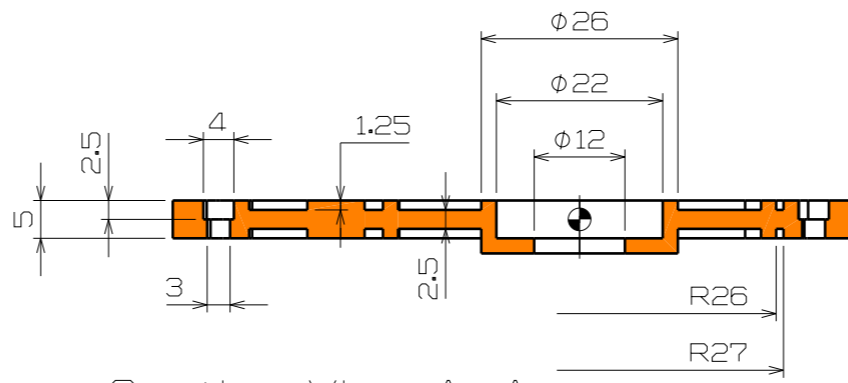
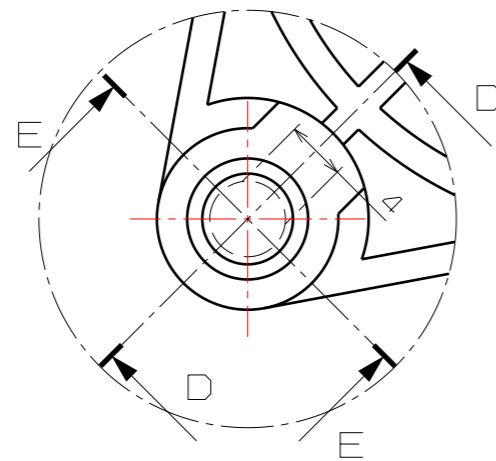
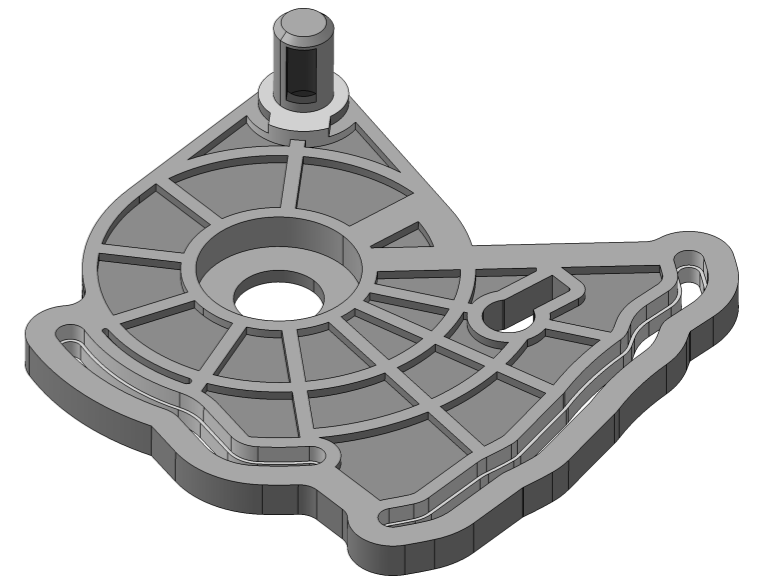


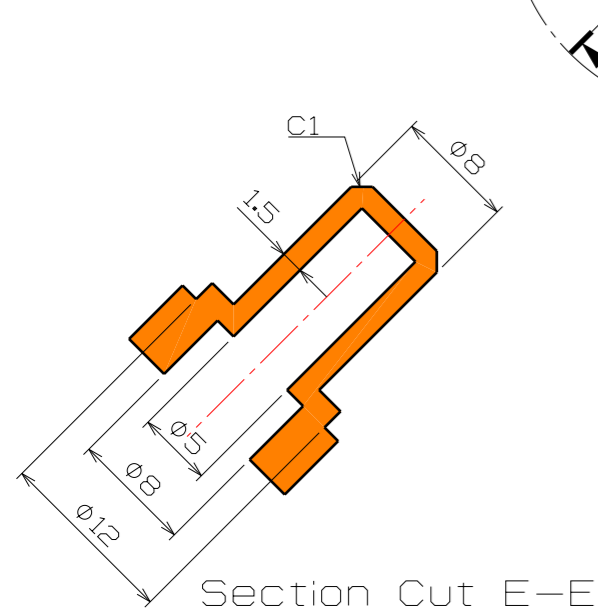
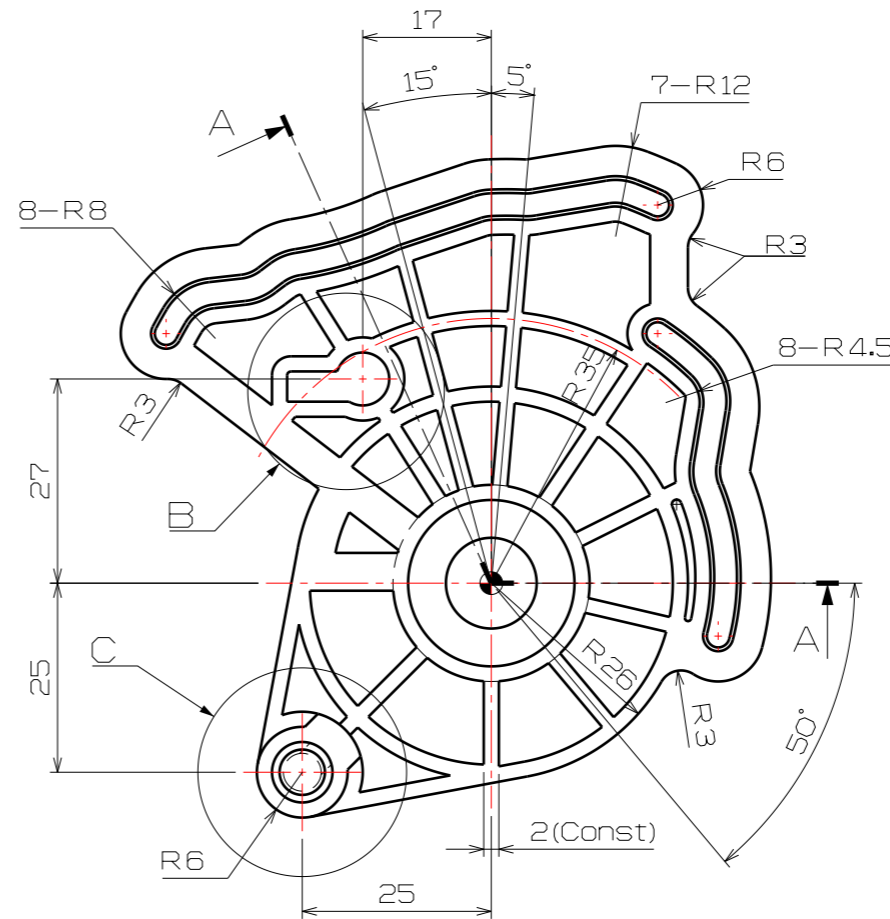
Detail B  
Scale 2:1



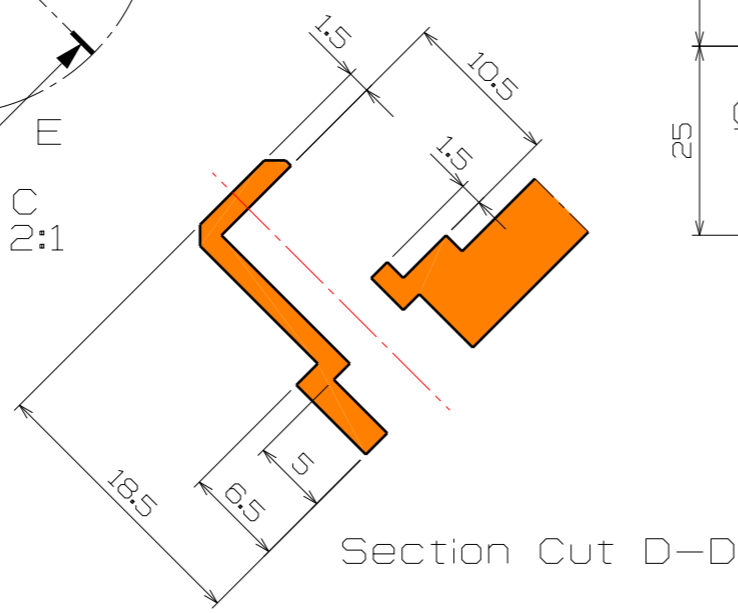
Section View A-A



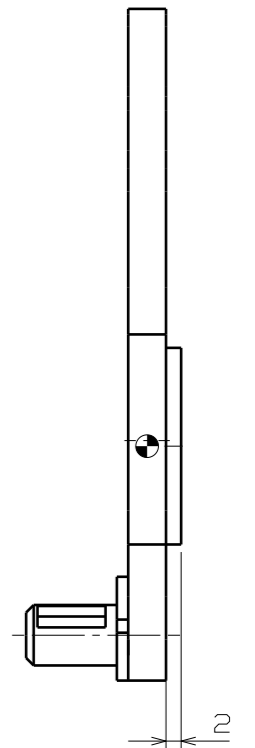
Detail C  
Scale 2:1



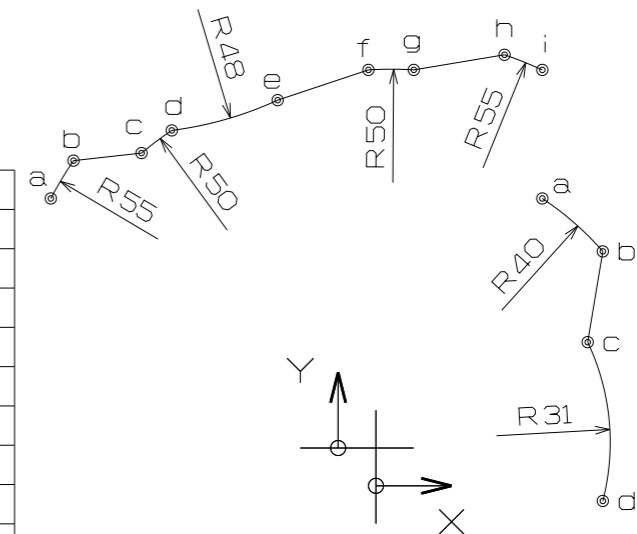
Section Cut E-E



Section Cut D-D



REF.	X	Y
a	-43	33
b	-40	38
c	-31	39
d	-27	42
e	-13	46
f	-1	50
g	5	50
h	17	52
i	22	50



REF.	X	Y
a	22	33
b	30	26
c	28	14
d	30	-7

NOTE  
1. Unspecified Fillet Radius : 0.5mm